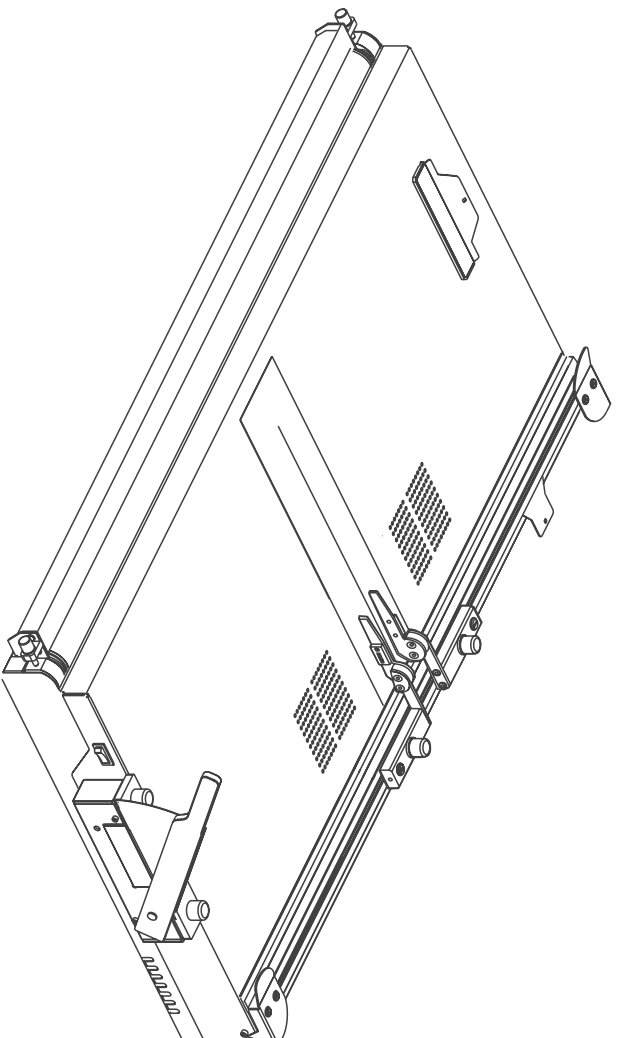
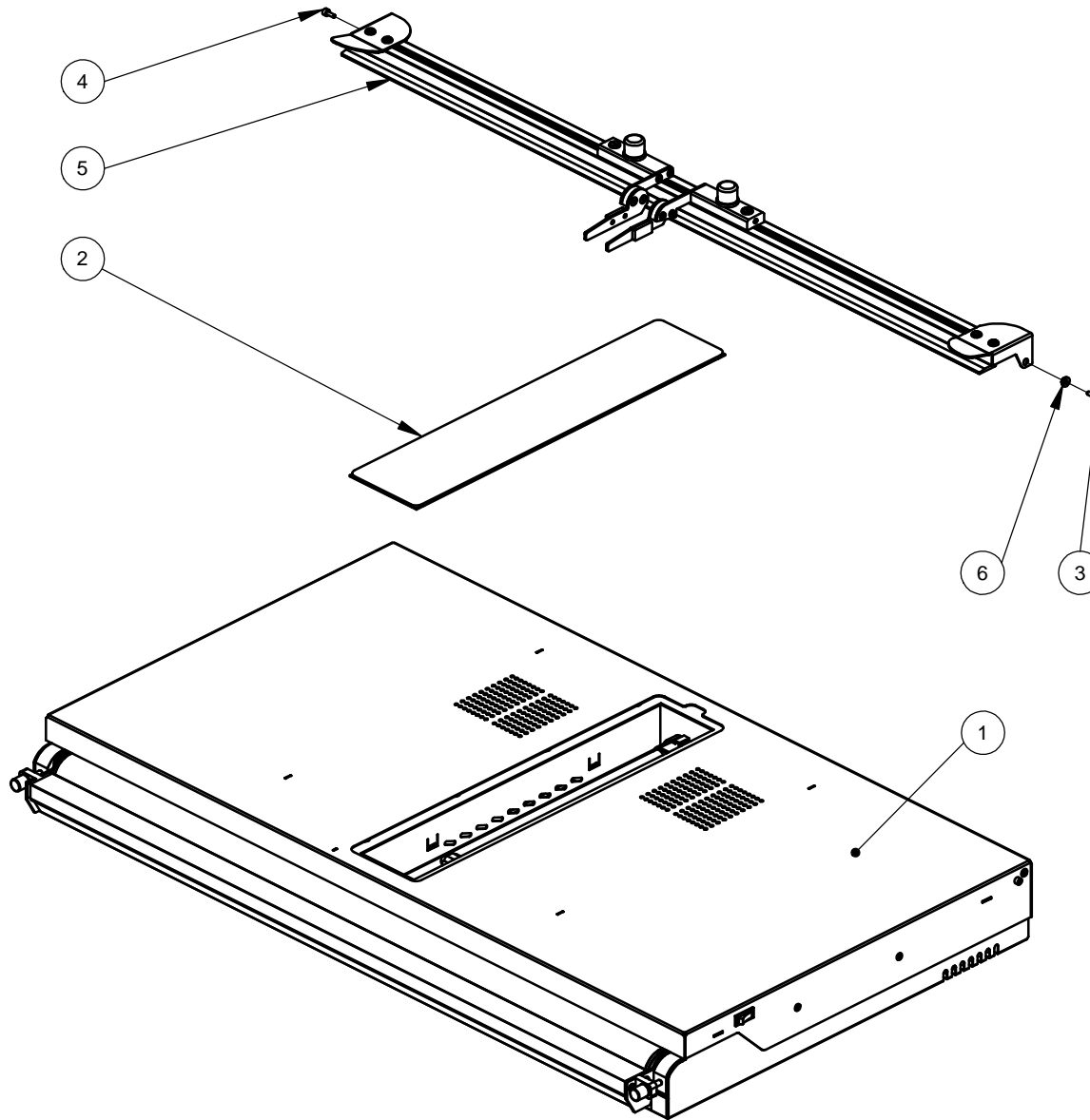


FASTBIND CASEMATIC H46 PRO

ON-DEMAND HARD COVER MAKER

TECHNICAL MANUAL 06 / 2011

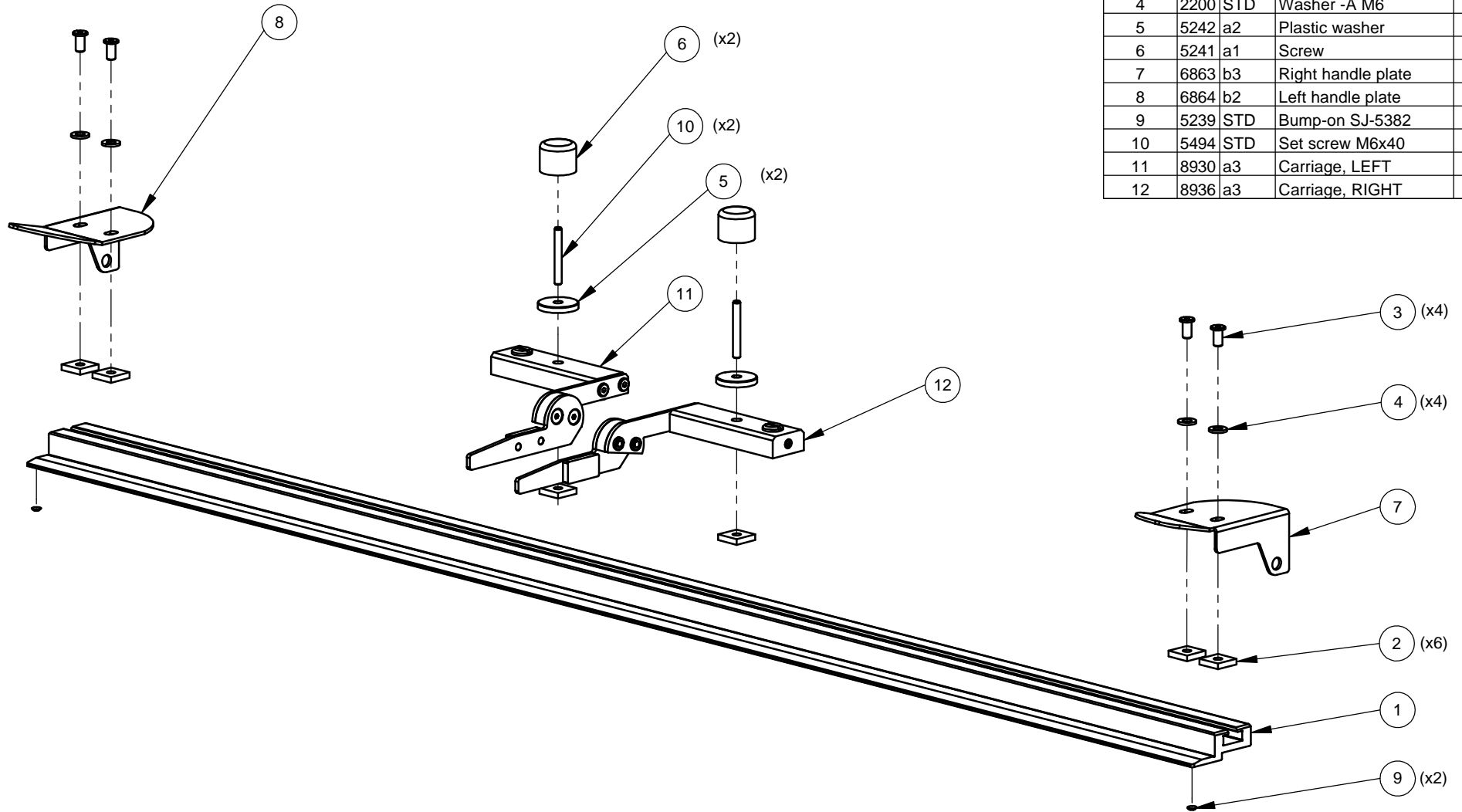




Drawing: JSA
Approval: IHU 21.04.2011

8548 a5 - Main assembly H46Pro

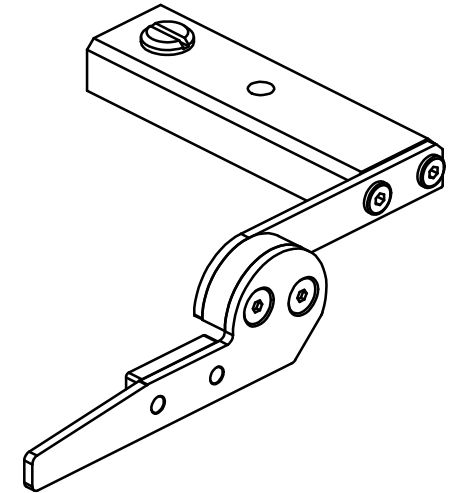
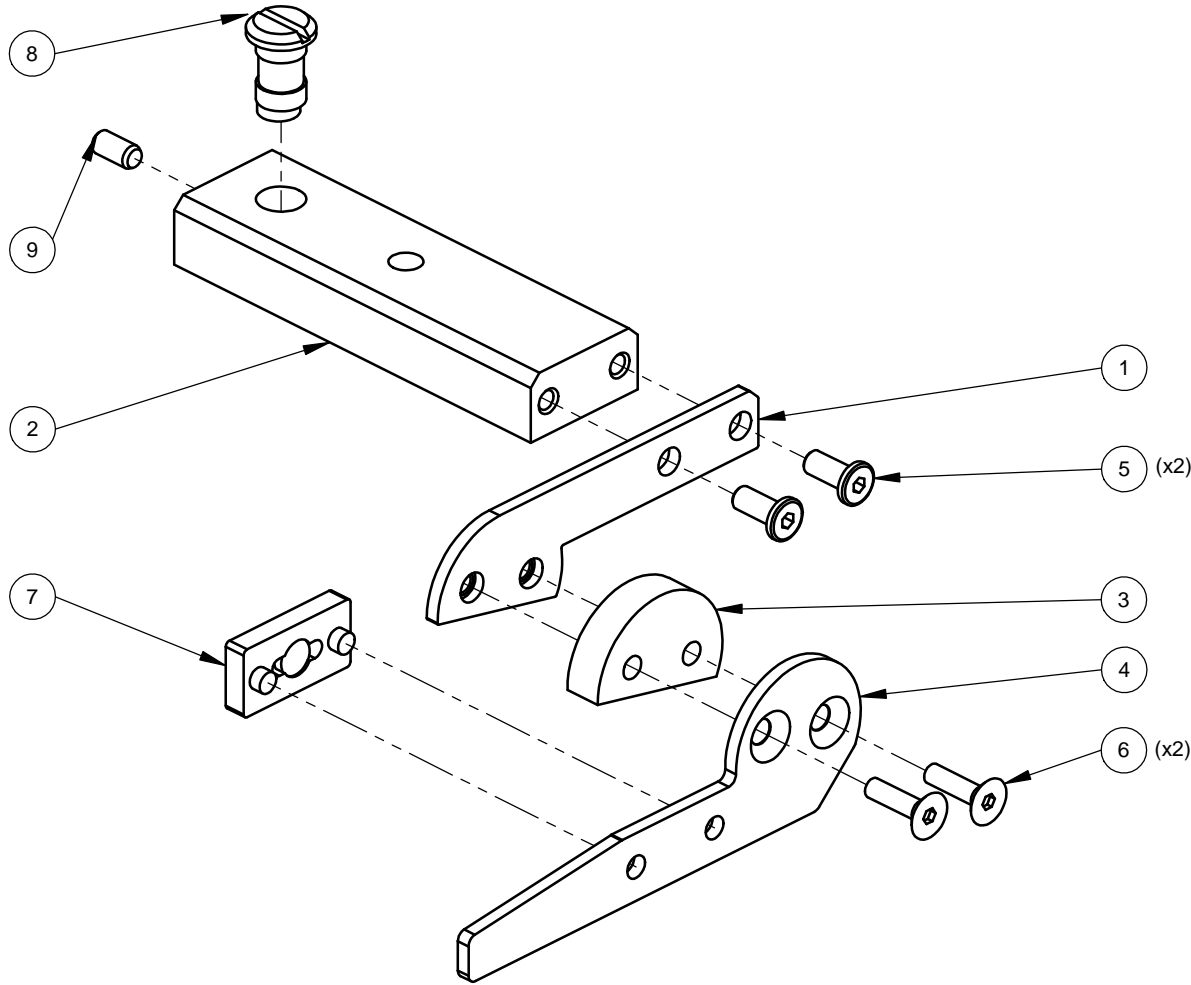
ITEM NO.	ID	Versio	Name	QTY.
1	9601	a4	Body assembly H46Pro	1
2	8567	a1	Plex assembly H46Pro	1
3	1809	STD	Hexagon socket screw M5x16	1
4	1808	STD	Hex socket screw M5x12	1
5	8554	a3	Rail assembly H46Pro	1
6	6911	a2	Sleeve	1



ITEM NO.	ID	Versio	Name	QTY.
1	8547	a1	Rail H46Pro	1
2	2352	STD	Square nut	6
3	6956	STD	Hex socket screw M6	4
4	2200	STD	Washer -A M6	4
5	5242	a2	Plastic washer	2
6	5241	a1	Screw	2
7	6863	b3	Right handle plate	1
8	6864	b2	Left handle plate	1
9	5239	STD	Bump-on SJ-5382	2
10	5494	STD	Set screw M6x40	2
11	8930	a3	Carriage, LEFT	1
12	8936	a3	Carriage, RIGHT	1

Drawing: JSA
Approval: IHU 21.04.2011

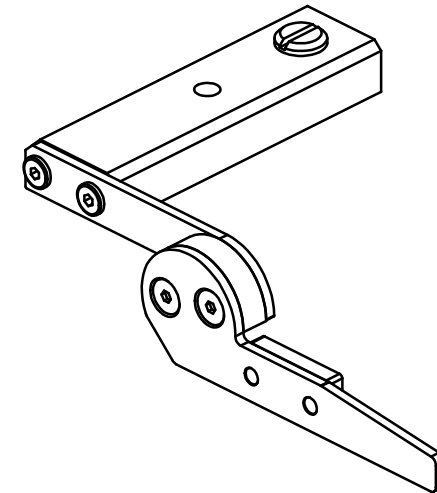
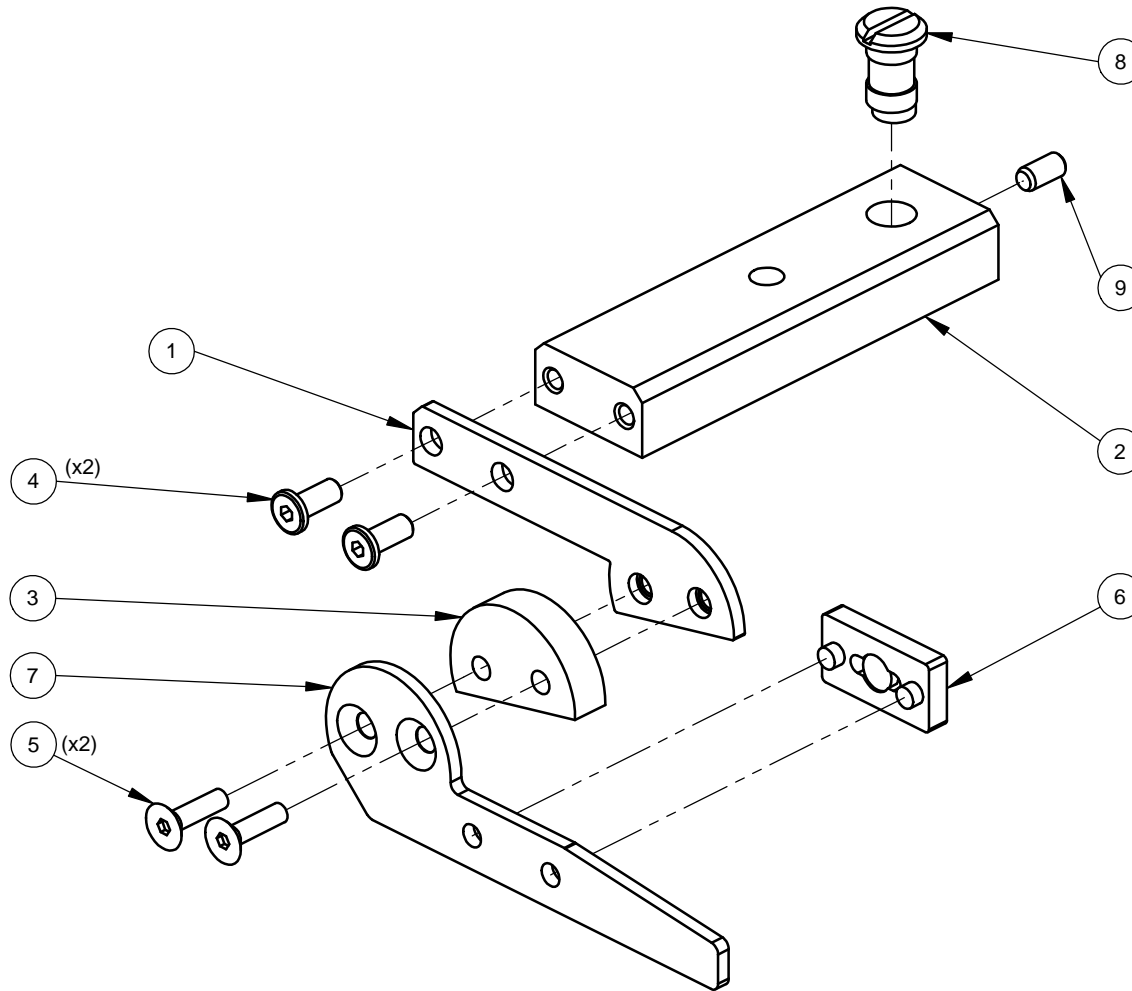
8554 a3 - Rail assembly H46Pro



Drawing: JSA
Approval: IHU 21.04.2011

8930 a3 - Carriage, LEFT

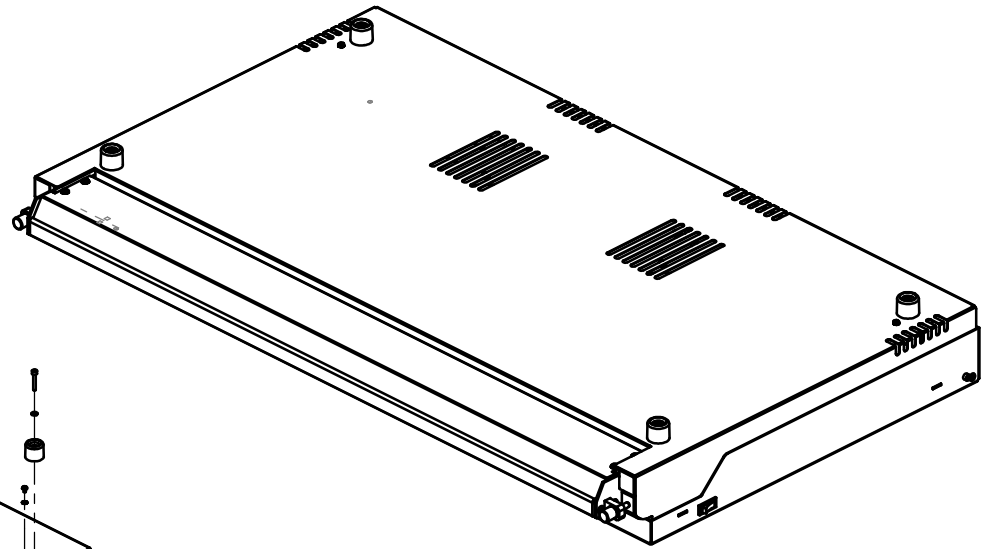
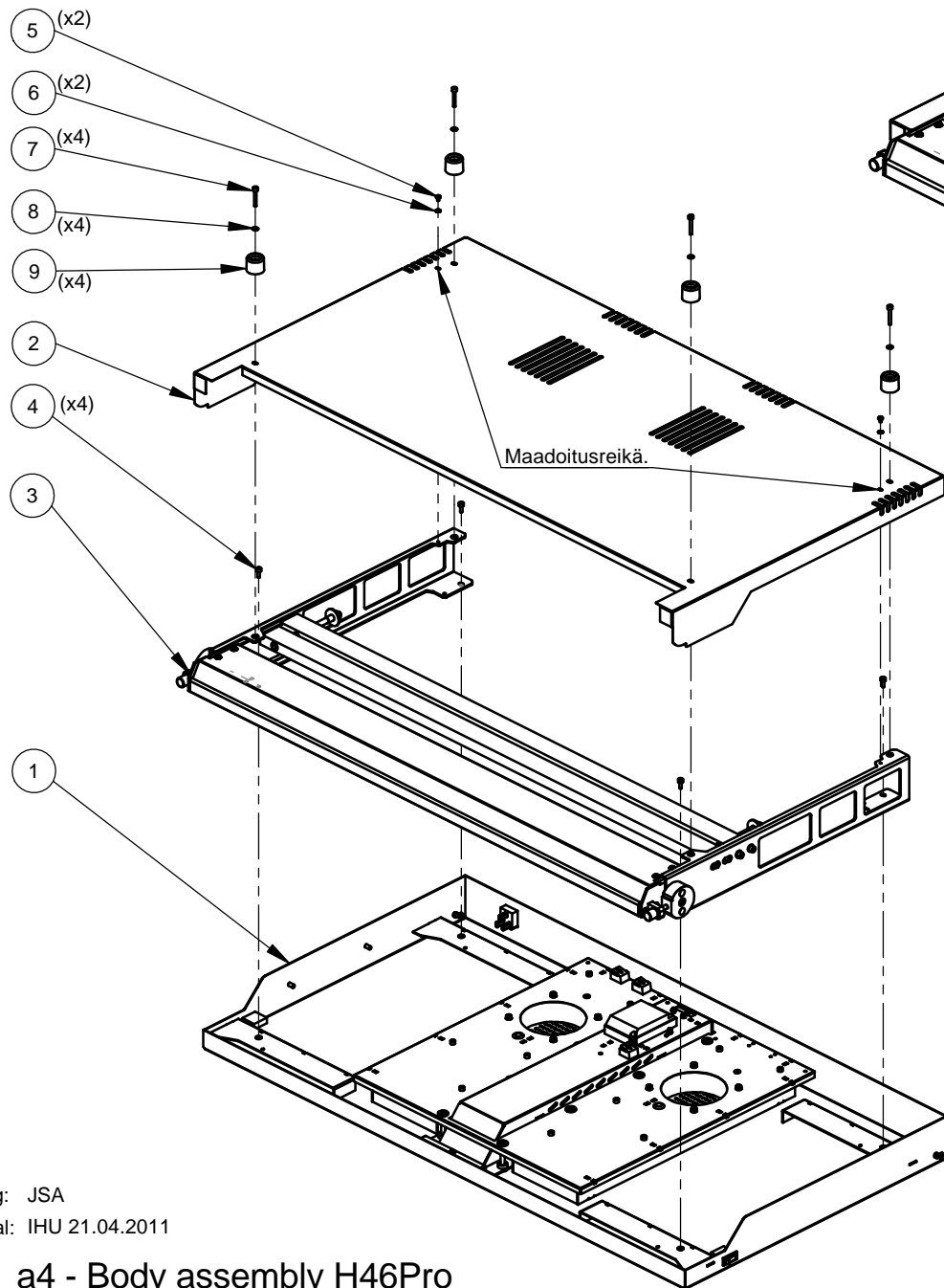
ITEM NO.	ID	Versio	Name	QTY.
1	8932	b2	Support plate, LEFT	1
2	8931	a3	Fixing part	1
3	8934	b1	Spacer	1
4	8935	b2	Guide plate 3mm, LEFT	1
5	5520	STD	Hex socket screw M5x12	2
6	1842	STD	Hex socket screw M5x16	2
7	8940	a1	Quick spacer 8mm	1
8	9583	a1	Adjustment piece	1
9	1843	STD	Retaining screw M6	1



Drawing: JSA
Approval: IHU 21.04.2011

8936 a3 - Carriage, RIGHT

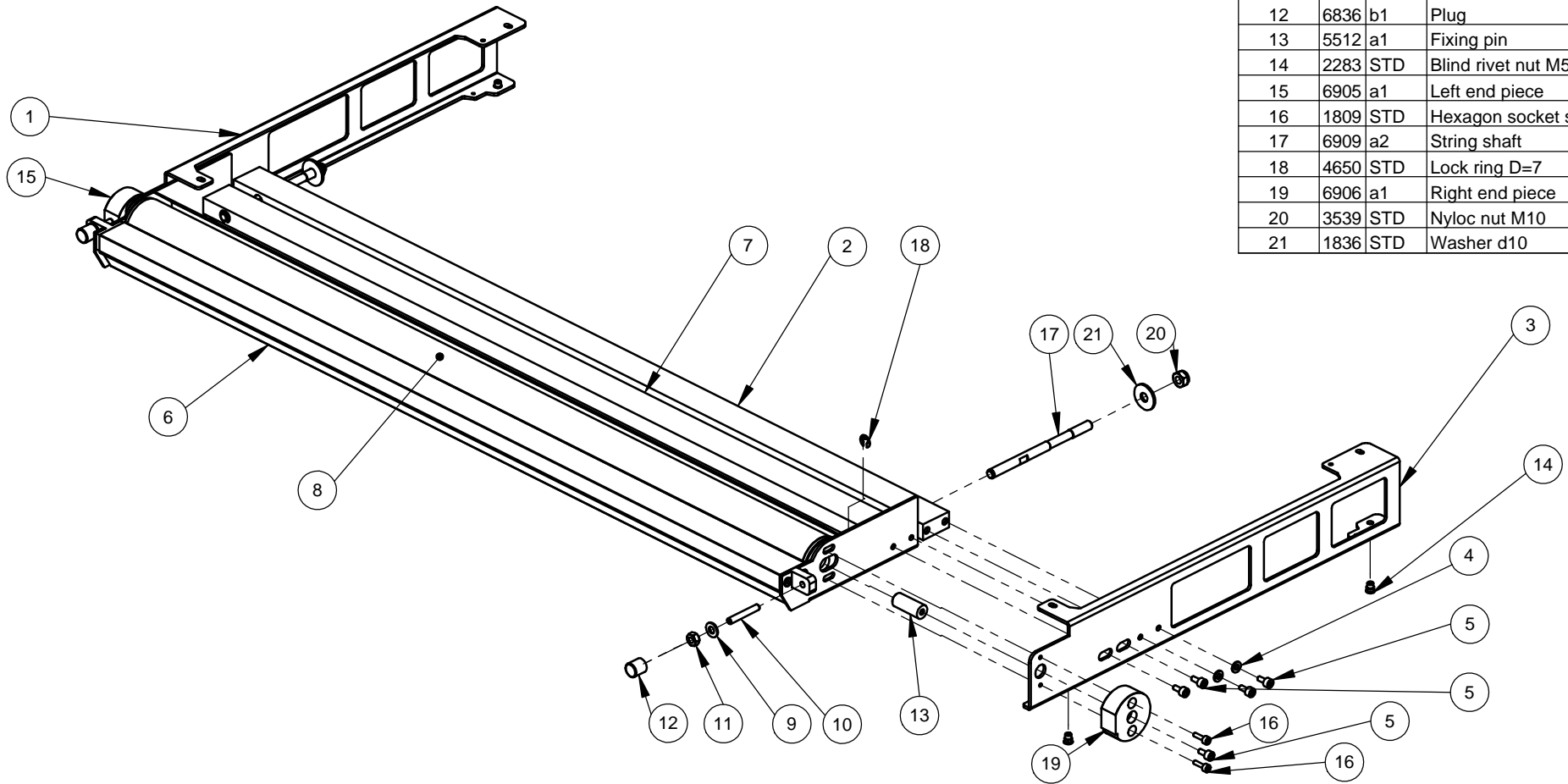
ITEM NO.	ID	Versio	Name	QTY.
1	8937	b2	Support plate, RIGHT	1
2	8931	a3	Fixing part	1
3	8934	b1	Spacer	1
4	5520	STD	Hex socket screw M5x12	2
5	1842	STD	Hex socket screw M5x16	2
6	8940	a1	Quick spacer 8mm	1
7	8938	b2	Guide plate 3mm, RIGHT	1
8	9583	a1	Adjustment piece	1
9	1843	STD	Retaining screw M6	1



ITEM NO.	ID	Versio	Name	QTY.
1	9600	a3	Work top assembly	1
2	8553	a3	Base plate	1
3	8558	a4	Frame assembly	1
4	1808	STD	Hex socket screw M5x12	4
5	2267	STD	Screw M4x6	2
6	1821	STD	Serrated washer 4 mm	2
7	2326	STD	Hex socket screw M5	4
8	2317	STD	Washer -A M5	4
9	3675	STD	Rubber foot	4

Drawing: JSA
Approval: IHU 21.04.2011

9601 a4 - Body assembly H46Pro

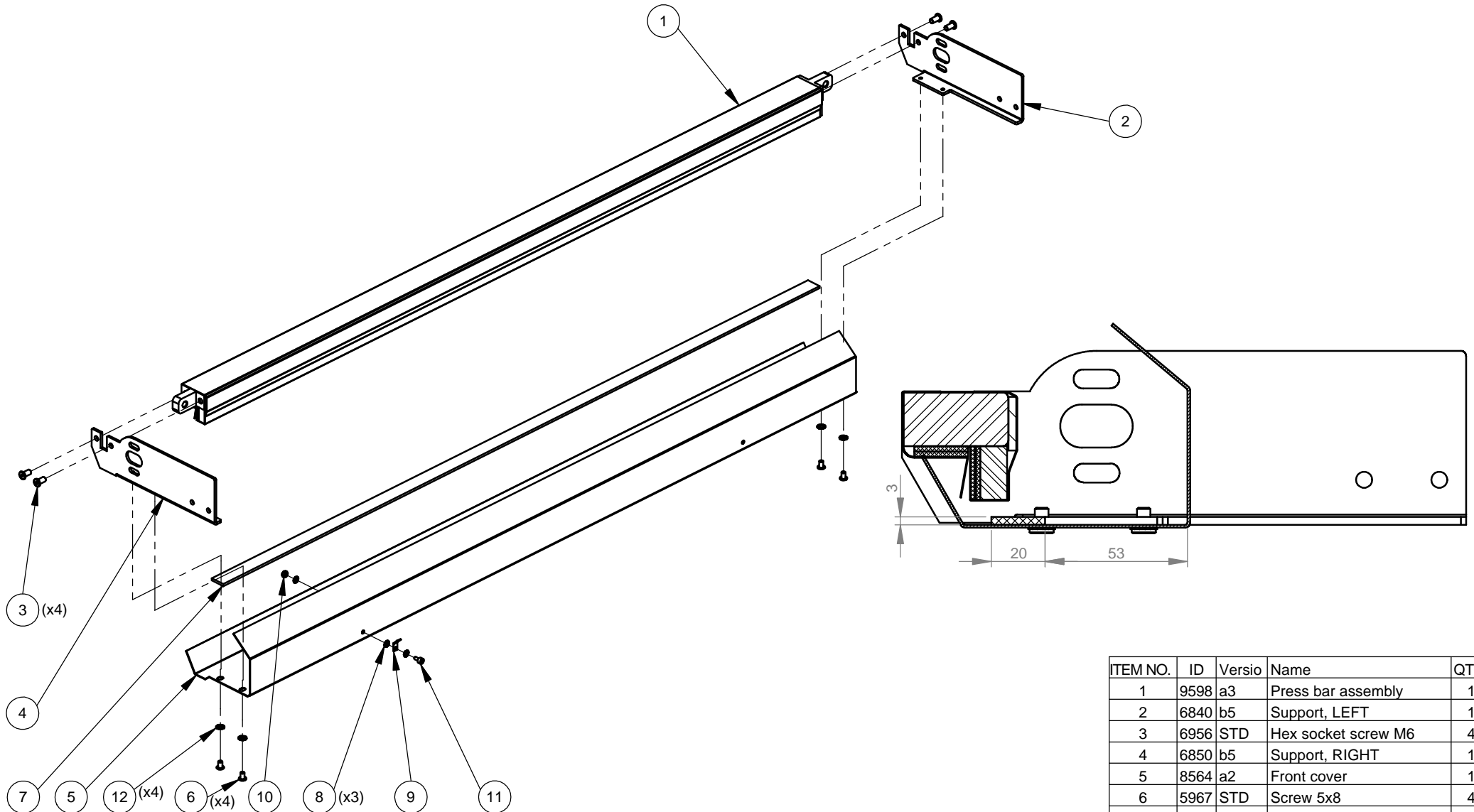


ITEM NO.	ID	Versio	Name	QTY.
1	8573	a2	Side plate, LEFT	1
2	8561	a1	Rear support	1
3	8572	a2	Side plate, RIGHT	1
4	2200	STD	Washer -A M6	4
5	3617	STD	Hex socket screw M6	10
6	8562	a6	Fork assembly H46Pro	1
7	8560	a1	Front support	1
8	8563	a1	Roller assembly H46Pro	1
9	2997	STD	Washer -A M8	2
10	4197	STD	Set screw M8x45	2
11	2253	STD	Hexagon nut M8	2
12	6836	b1	Plug	2
13	5512	a1	Fixing pin	2
14	2283	STD	Blind rivet nut M5	4
15	6905	a1	Left end piece	1
16	1809	STD	Hexagon socket screw M5x16	4
17	6909	a2	String shaft	2
18	4650	STD	Lock ring D=7	2
19	6906	a1	Right end piece	1
20	3539	STD	Nyloc nut M10	2
21	1836	STD	Washer d10	2

Drawing: JSA

Approval: IHU 21.04.2011

8558 a4 - Frame assembly

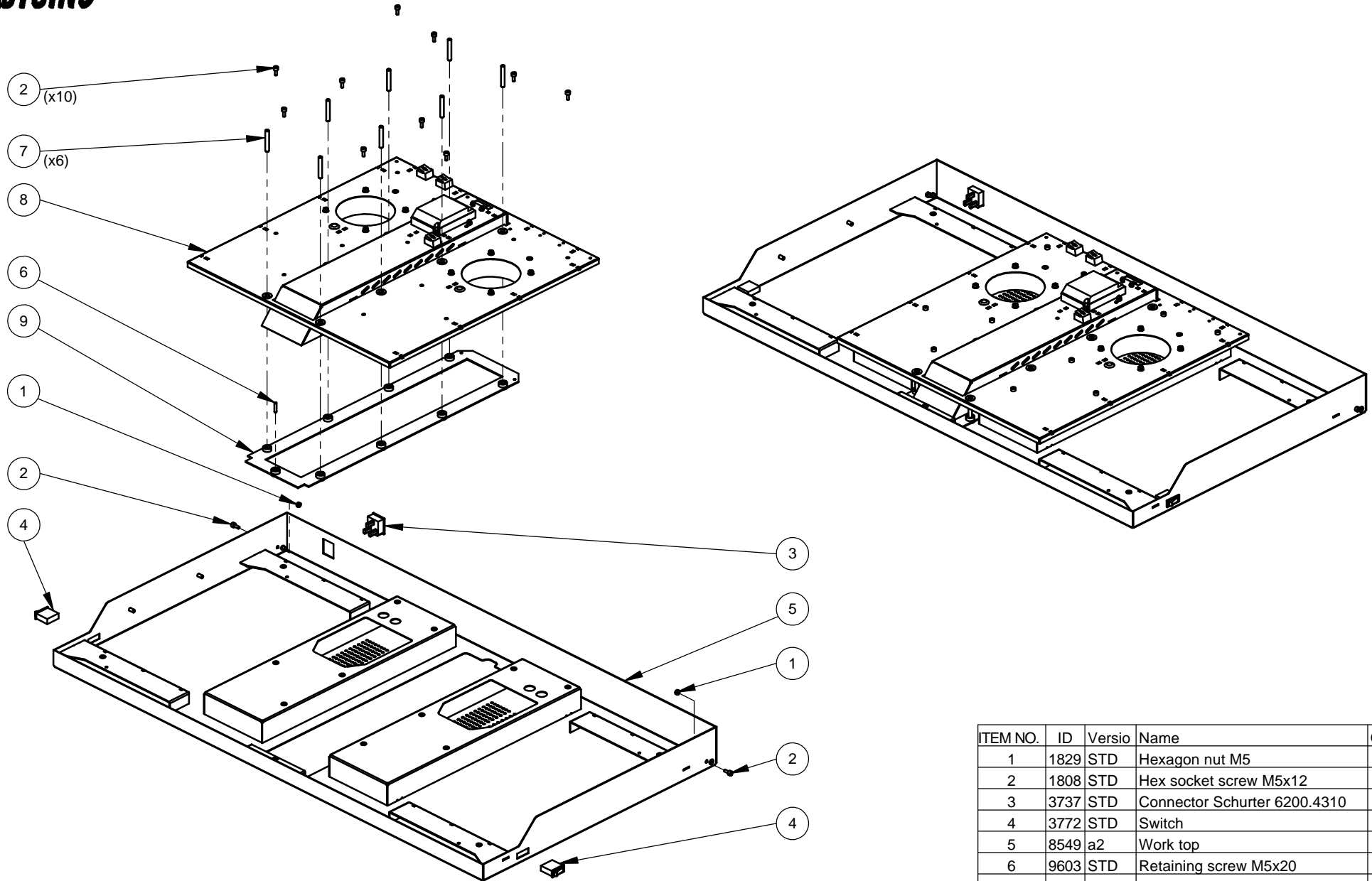


ITEM NO.	ID	Versio	Name	QTY.
1	9598	a3	Press bar assembly	1
2	6840	b5	Support, LEFT	1
3	6956	STD	Hex socket screw M6	4
4	6850	b5	Support, RIGHT	1
5	8564	a2	Front cover	1
6	5967	STD	Screw 5x8	4
7	8570	a2	Cushion	1
8	1821	STD	Serrated washer 4 mm	3
9	3713	STD	Connector	1
10	1828	STD	Hexagon nut M4	1
11	2236	STD	Hex socket screw M4x8	1
12	1822	STD	Serrated washer 5 mm	4

Drawing: JSA

Approval: IHU 21.04.2011

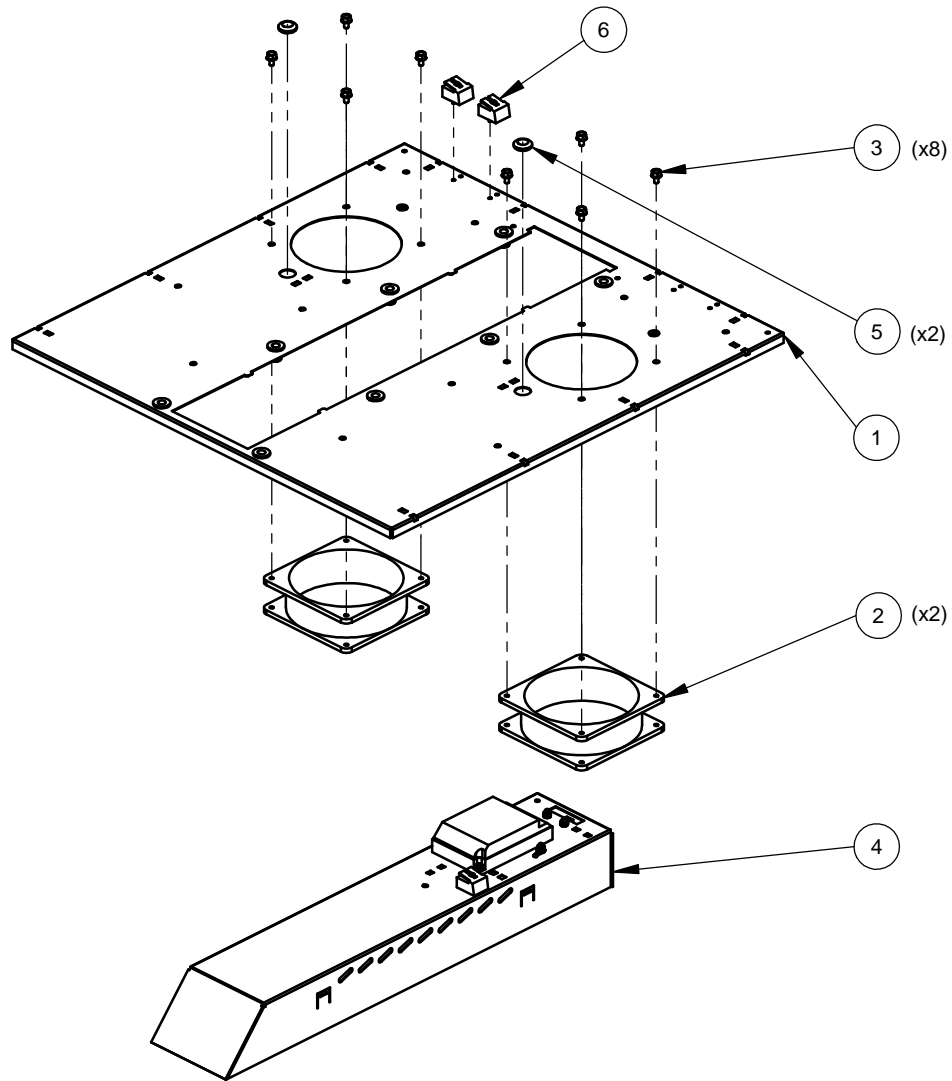
8562 a6 - Fork assembly H46Pro



ITEM NO.	ID	Versio	Name	QTY.
1	1829	STD	Hexagon nut M5	2
2	1808	STD	Hex socket screw M5x12	12
3	3737	STD	Connector Schurter 6200.4310	1
4	3772	STD	Switch	2
5	8549	a2	Work top	1
6	9603	STD	Retaining screw M5x20	1
7	4197	STD	Set screw M8x45	8
8	8551	b1	Fan plate assembly	1
9	8569	a2	Sleeve assembly	1

Drawing: JSA
Approval: IHU 15.04.2011

9600 a3 - Work top assembly



Drawing: JSA
Approval: IHU 21.04.2011

8551 b1 - Fan plate assembly

ITEM NO.	ID	Versio	Name	QTY.
1	9599	a2	Fan plate	1
2	3688	STD	Fan Multicomp DC24W	2
3	5524	STD	Thread forming screw M5x8	8
4	8552	a2	Lamp trough assembly	1
5	5145	STD	Bushing	2
6	3487	STD	Terminal block	2