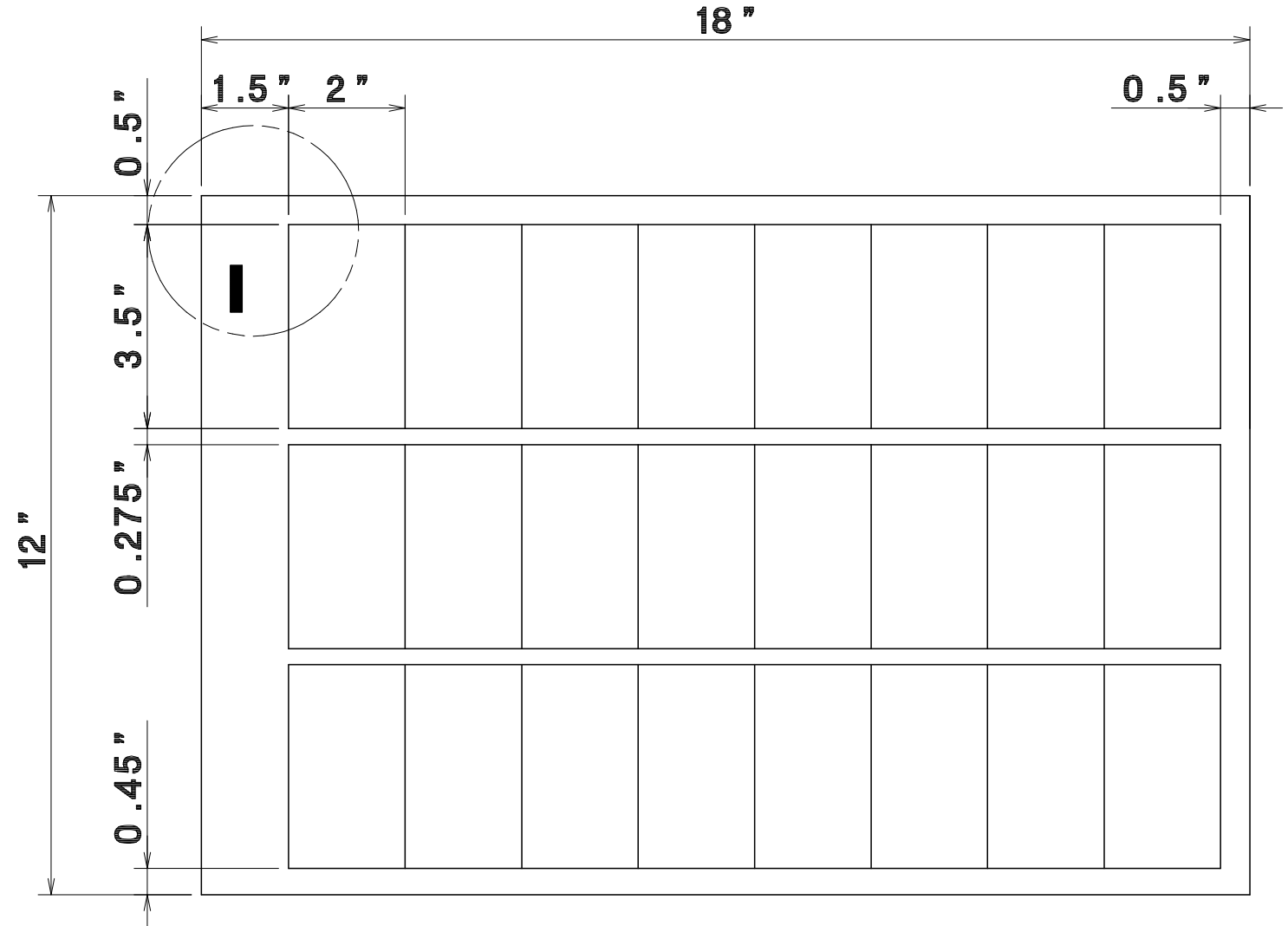
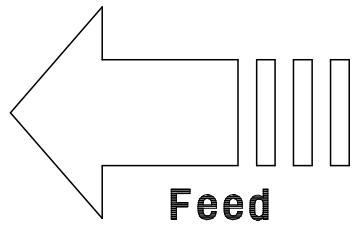
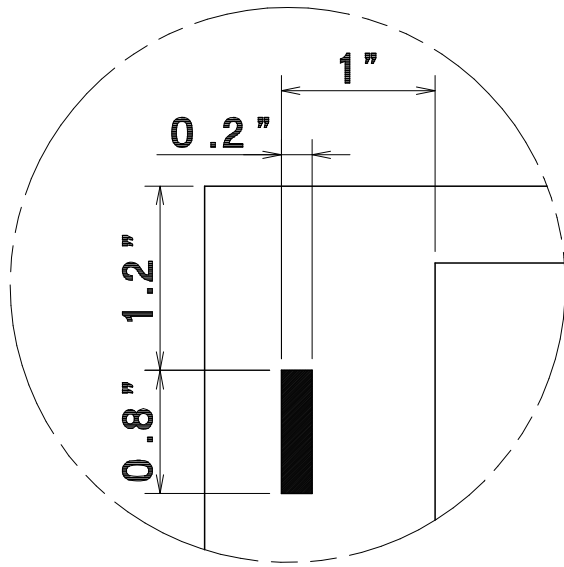


AeroCut PRESET TEMPLATE

ARCH-B
12"x18"

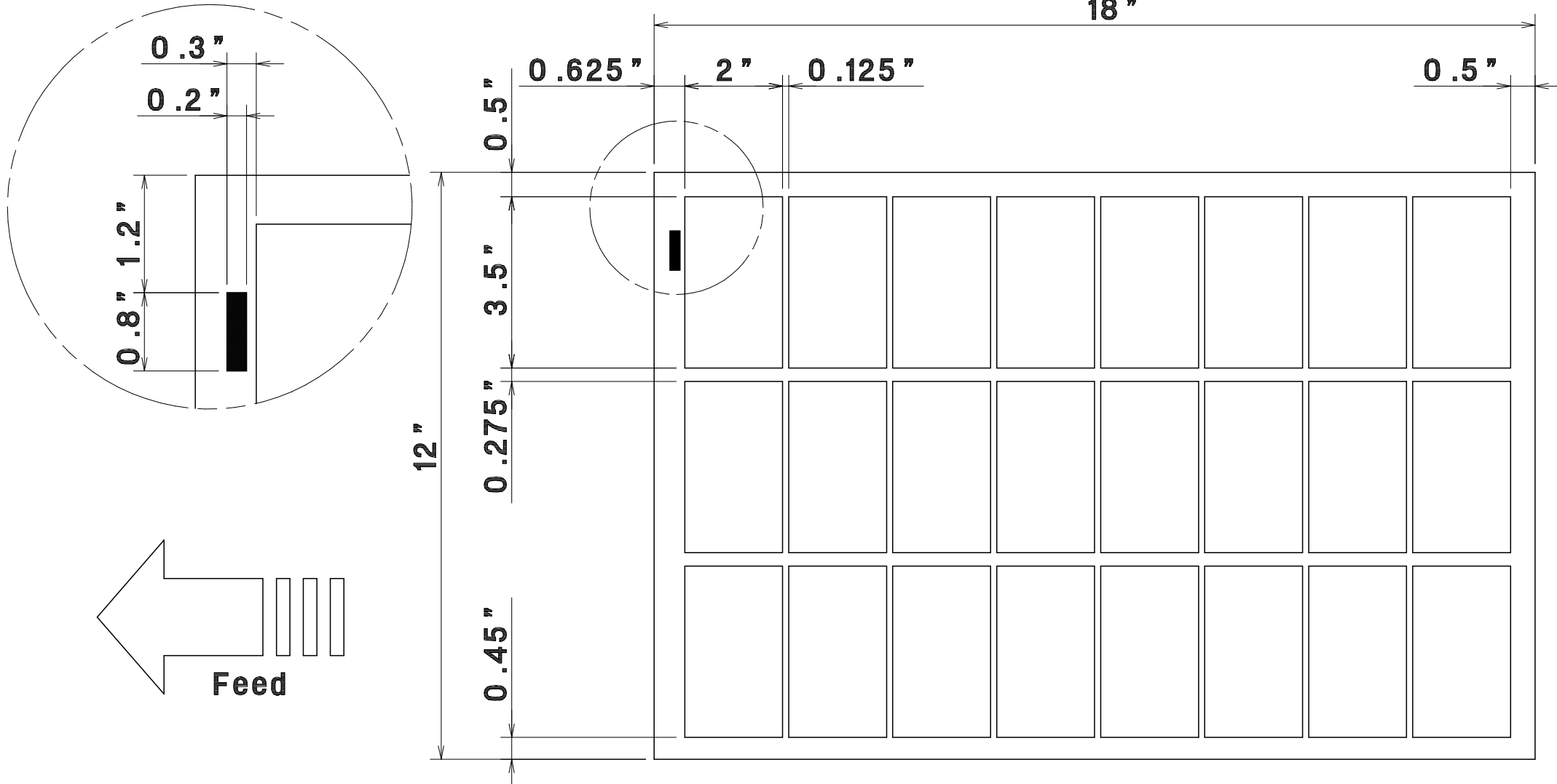
→ 2"x3.5"
Single cut



AeroCut PRESET TEMPLATE

ARCH-B
12"x18"

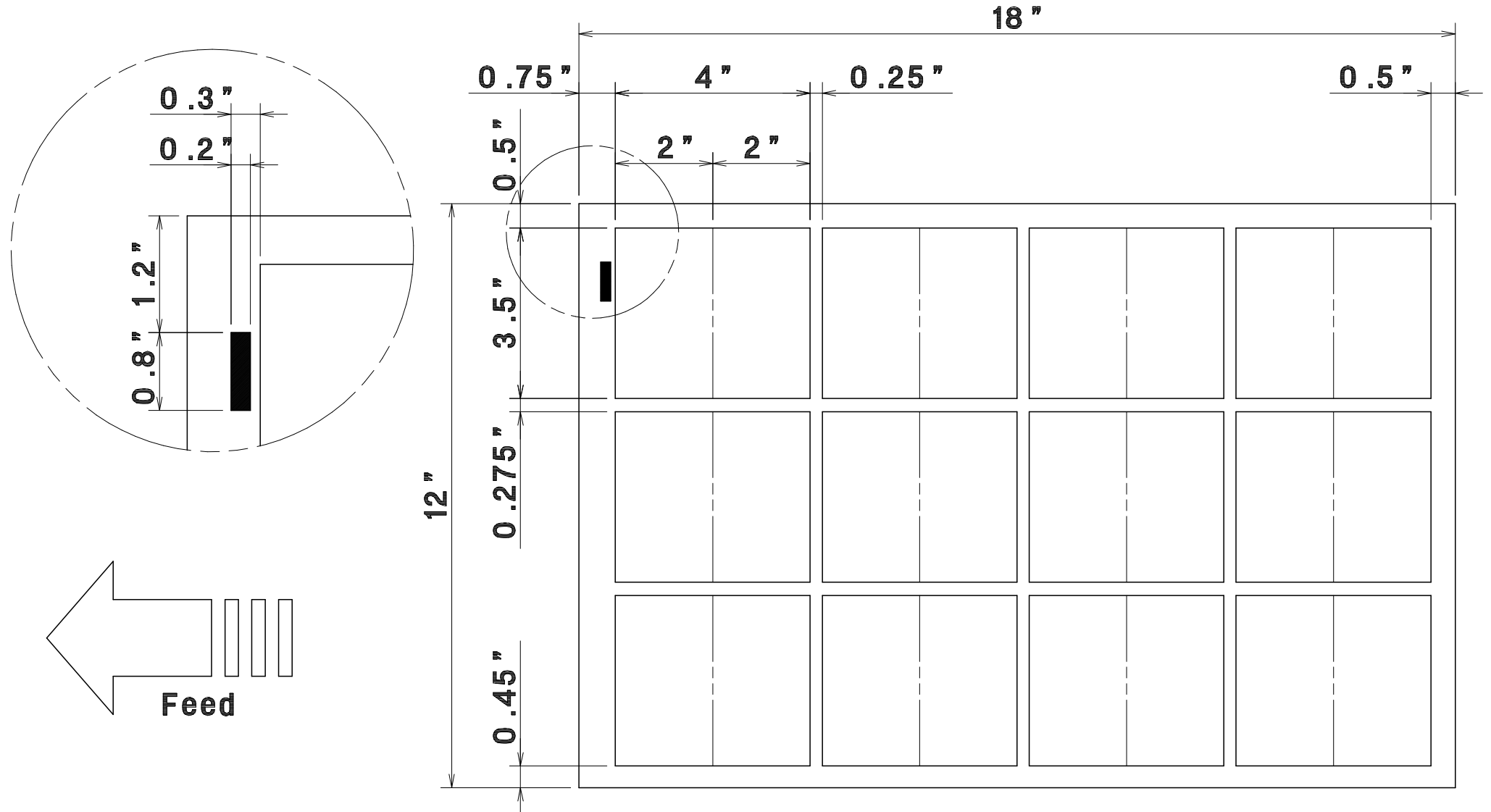
→ 2"x3.5"
Double cut



AeroCut PRESET TEMPLATE

ARCH-B
12"x18"

→ 3.5"x4"
Center crease

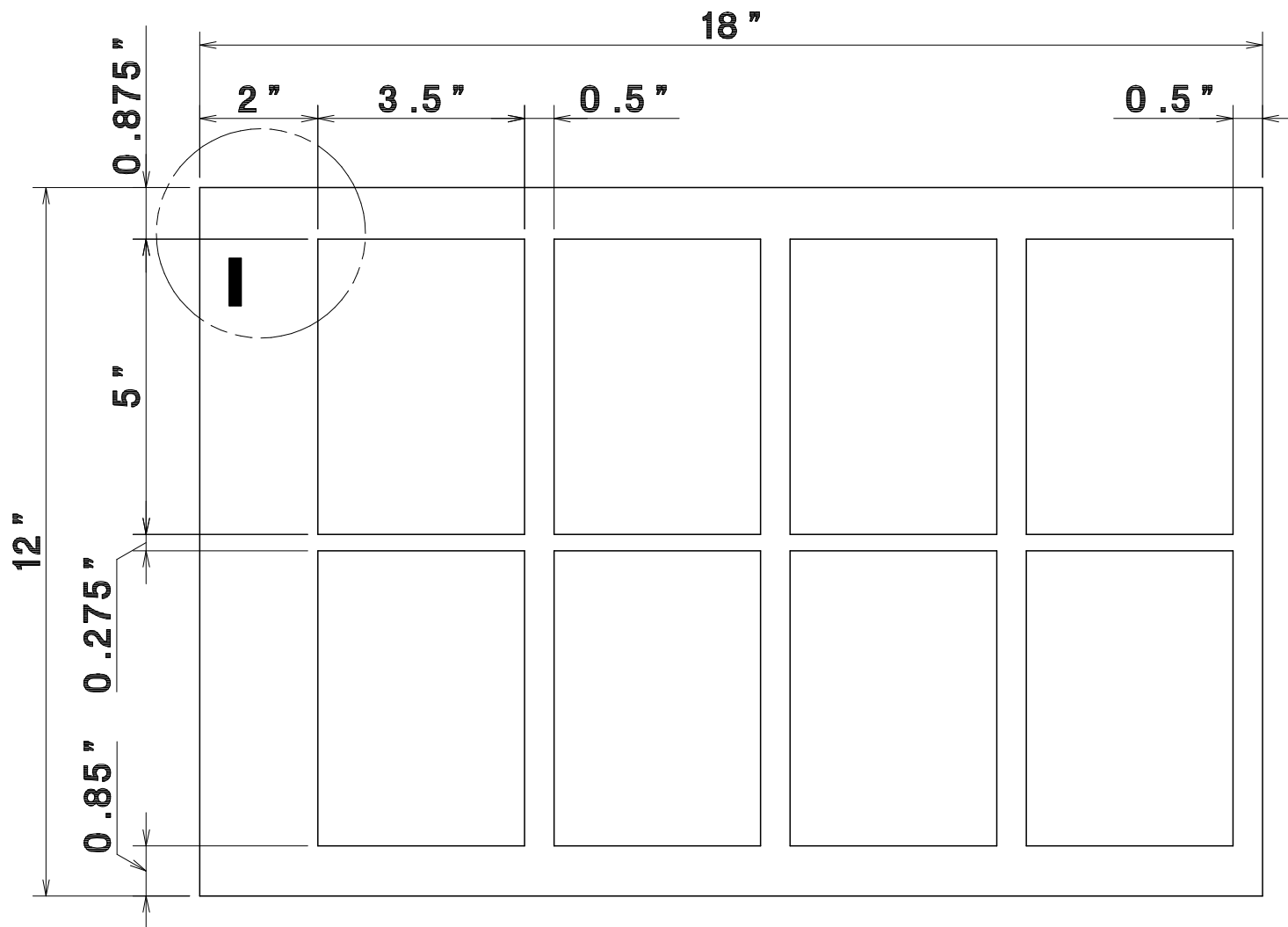
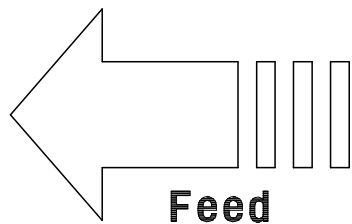
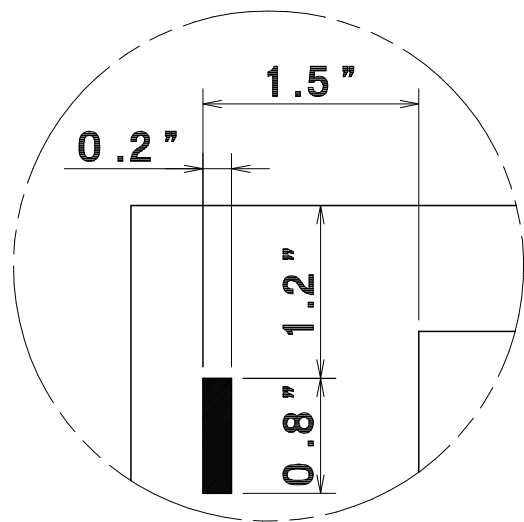


AeroCut

PRESET TEMPLATE

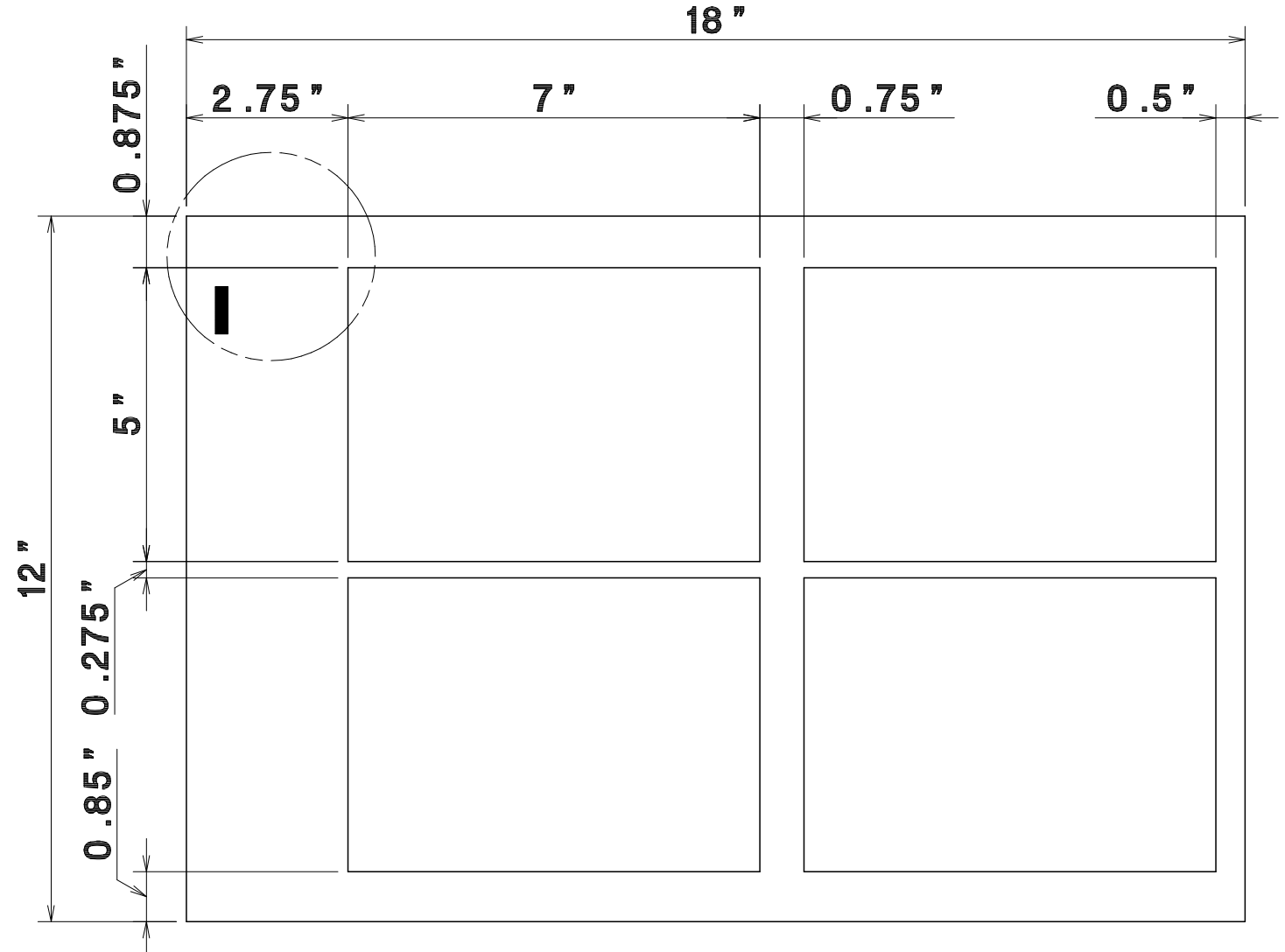
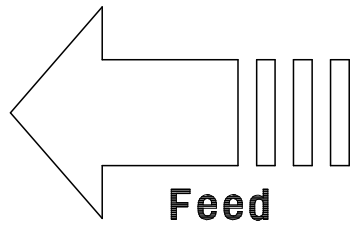
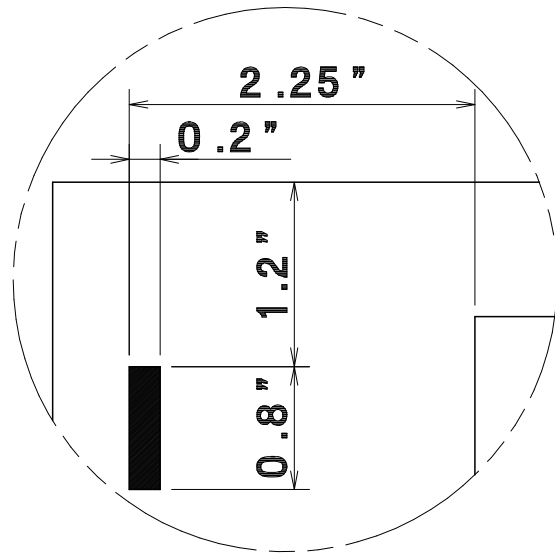
ARCH-B
12"x18"

→ 3.5"x5"



AeroCut PRESET TEMPLATE

ARCH-B
12"x18" → 5"x7"



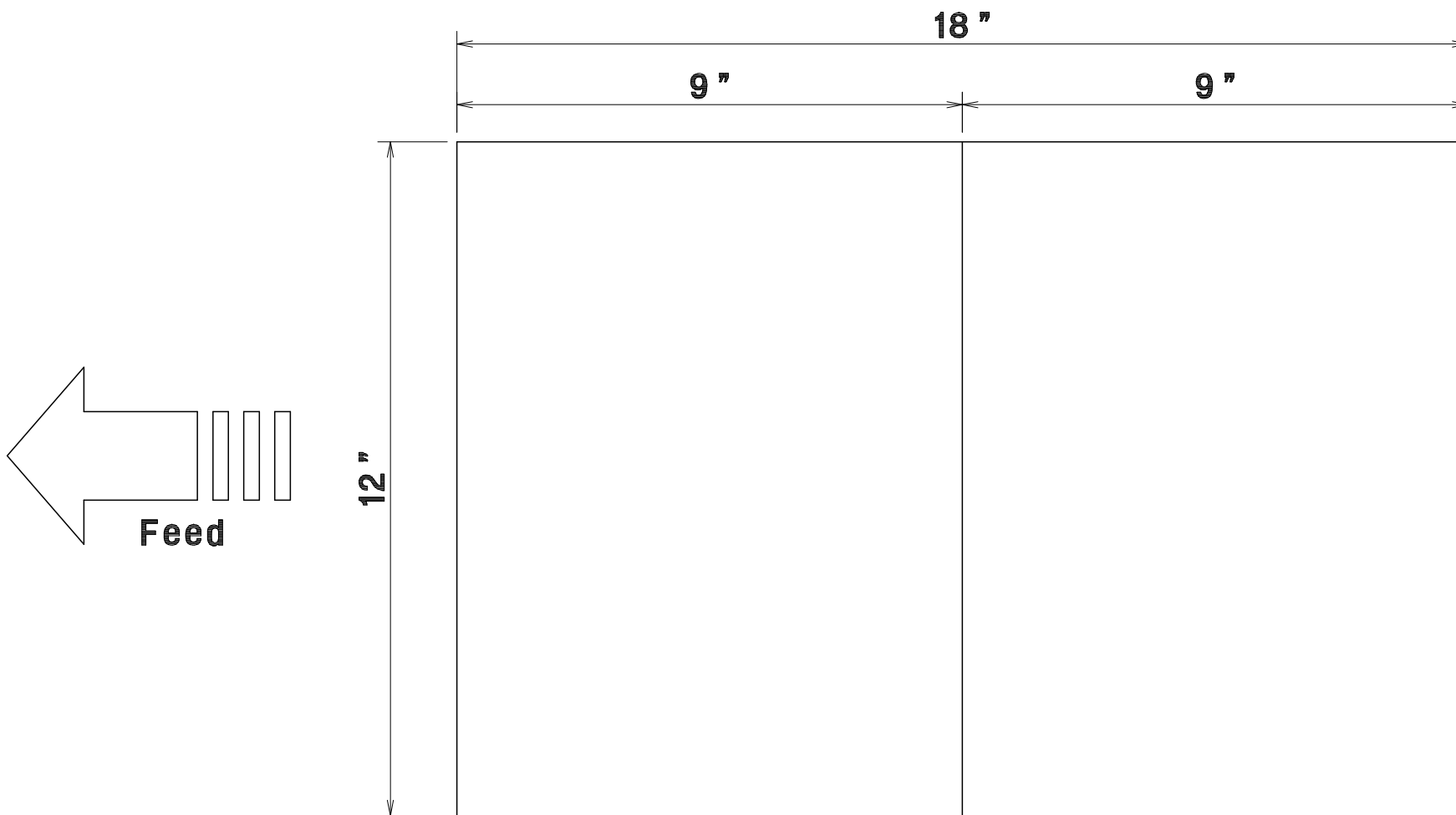
AeroCut

PRESET TEMPLATE

**ARCH-B
12"x18"**



/2



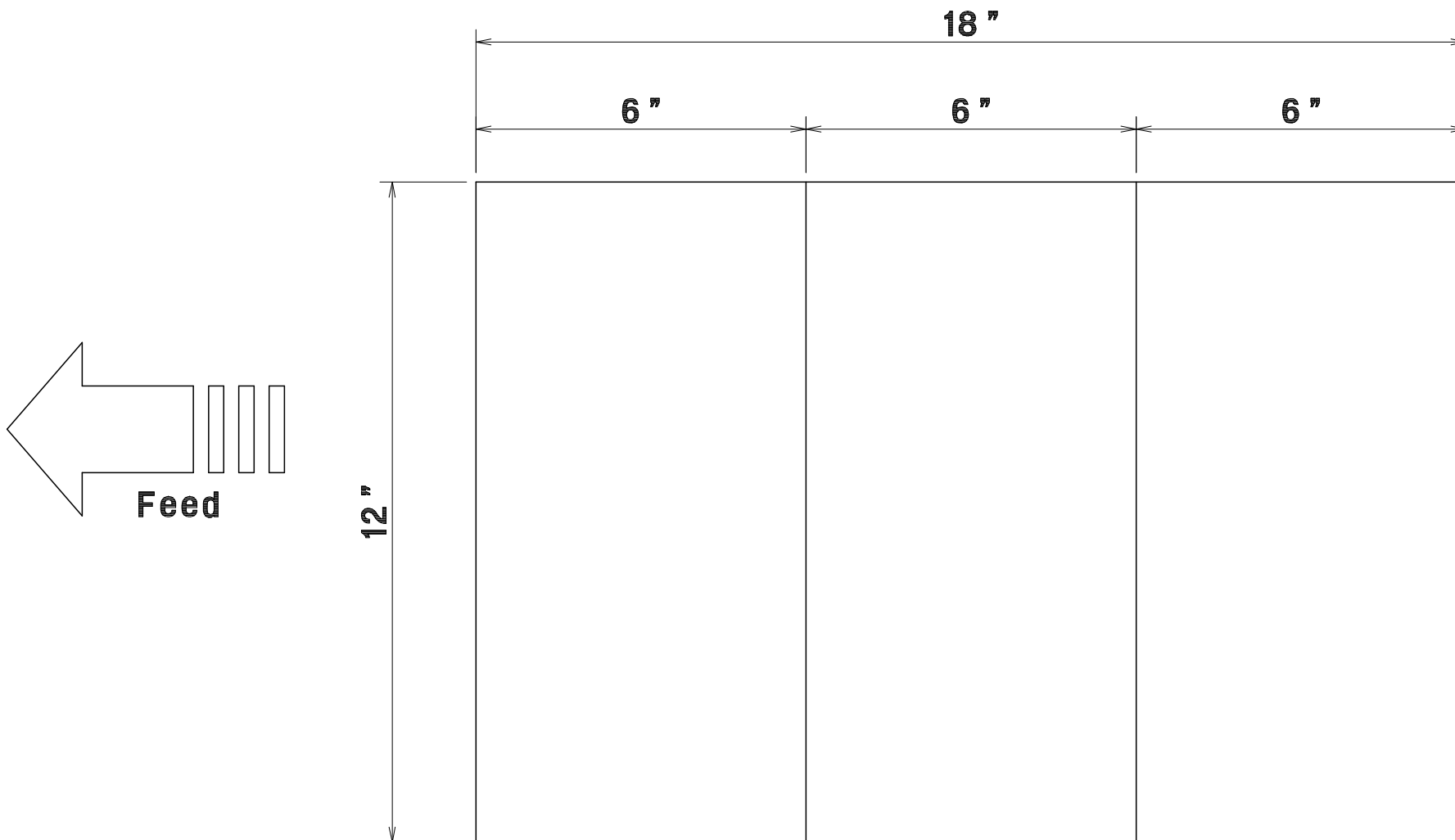
AeroCut

PRESET TEMPLATE

**ARCH-B
12"x18"**



/3



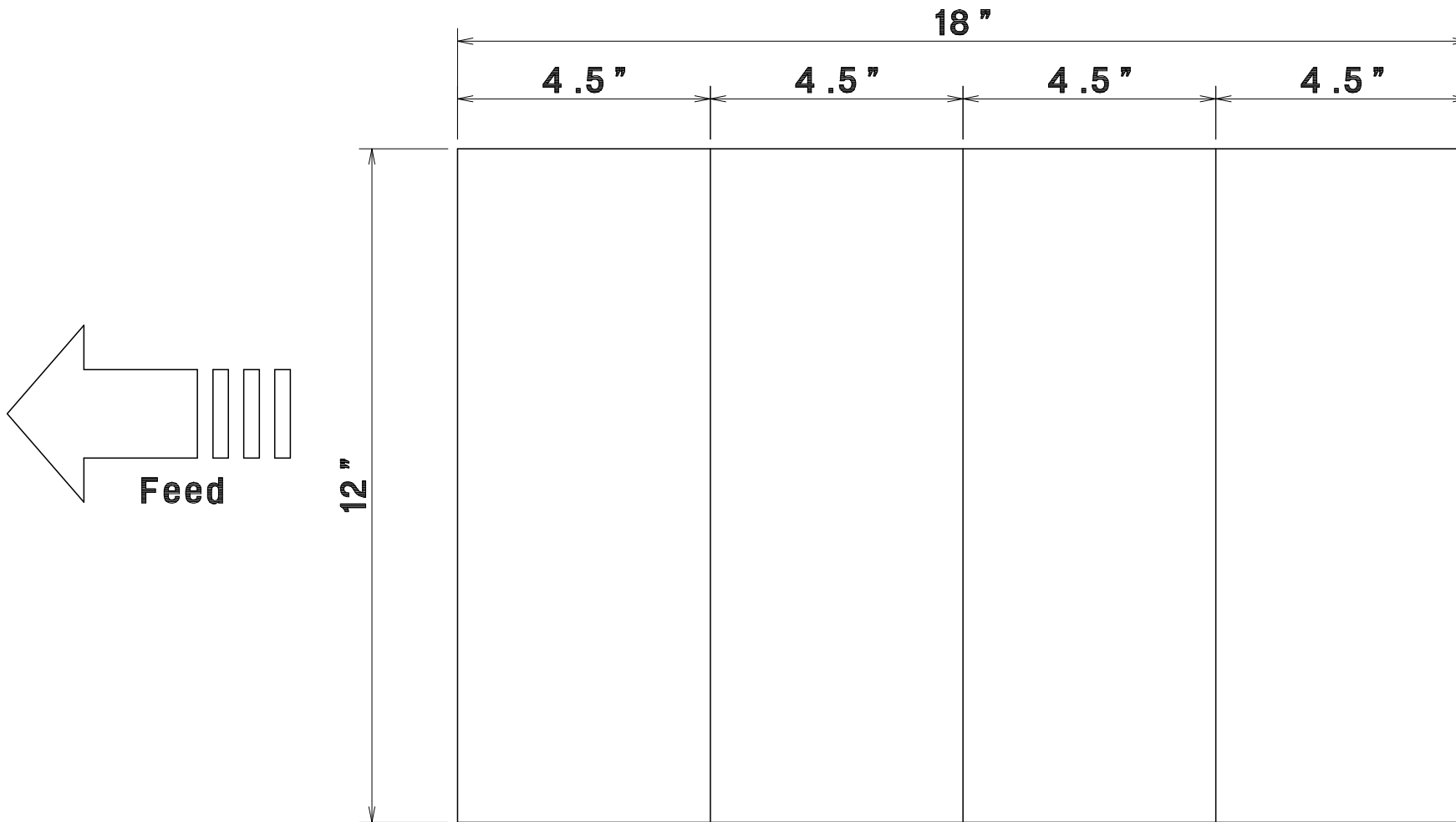
AeroCut

PRESET TEMPLATE

**ARCH-B
12"x18"**



/4

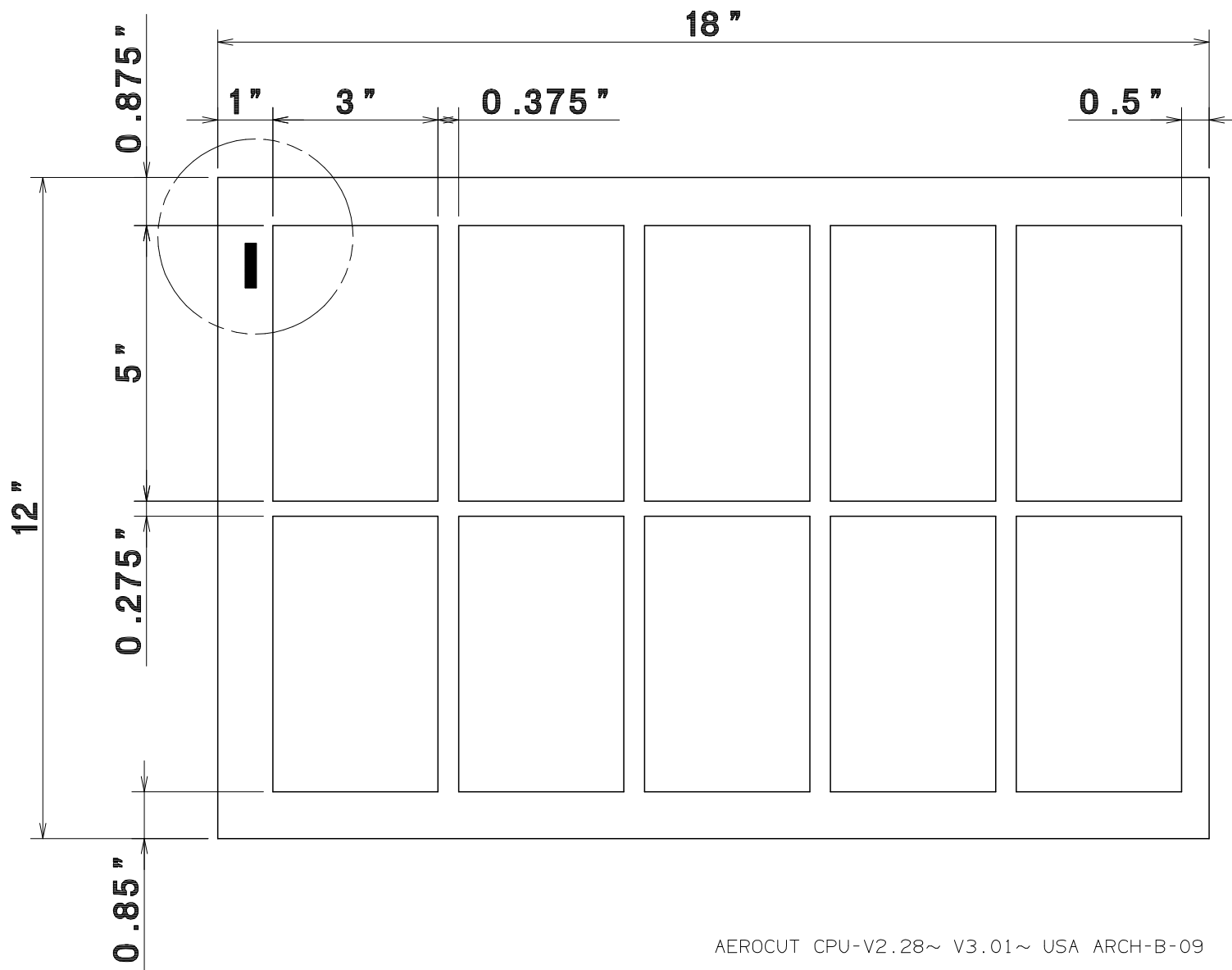
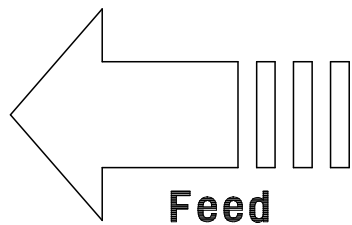
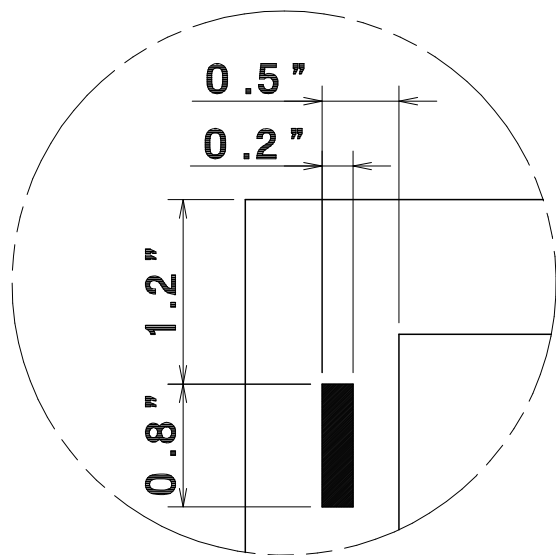


AeroCut

PRESET TEMPLATE

ARCH-B
12"x18"

→ 3"x5"
POST CARD

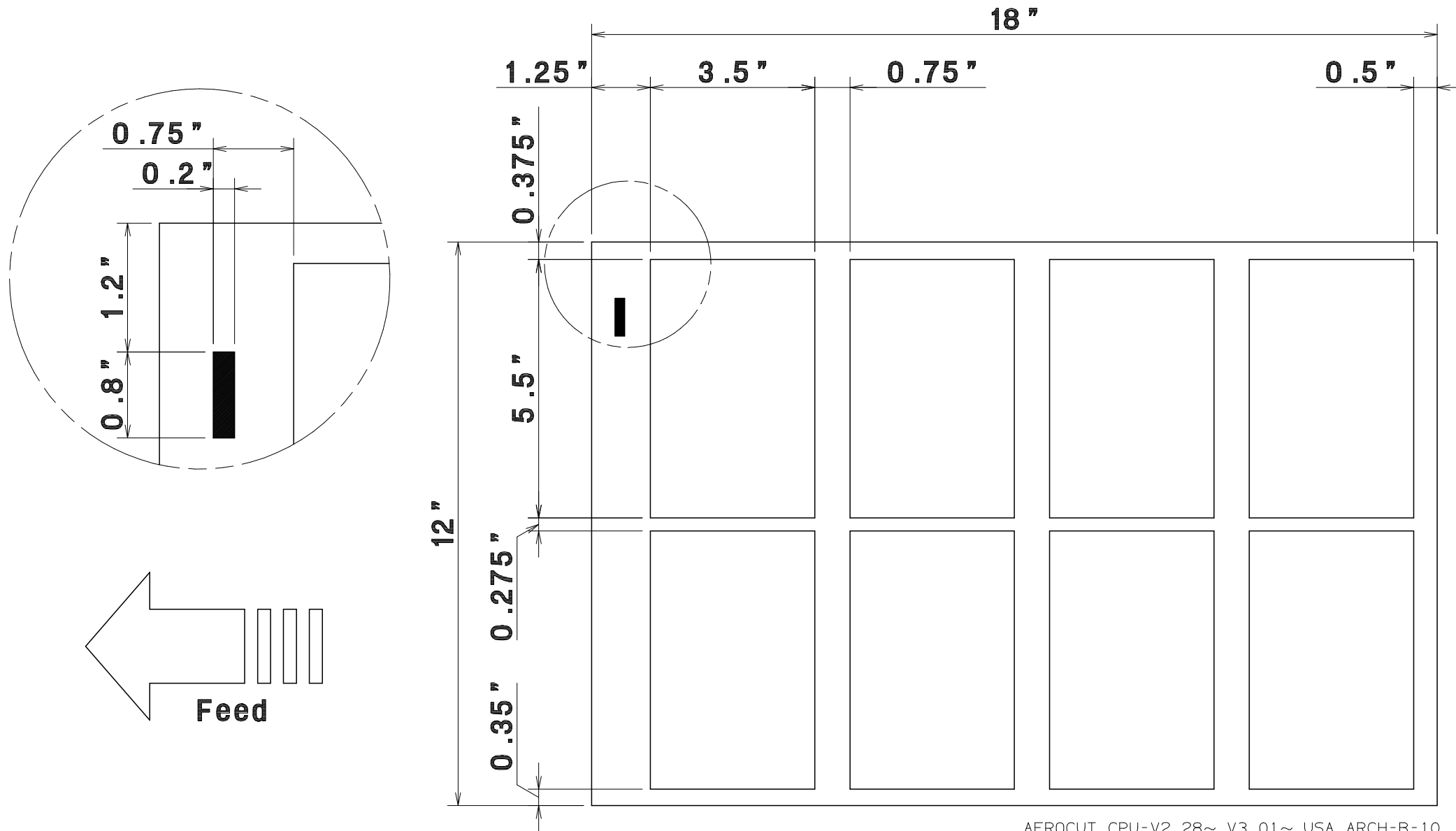


AeroCut

PRESET TEMPLATE

ARCH-B
12"x18"

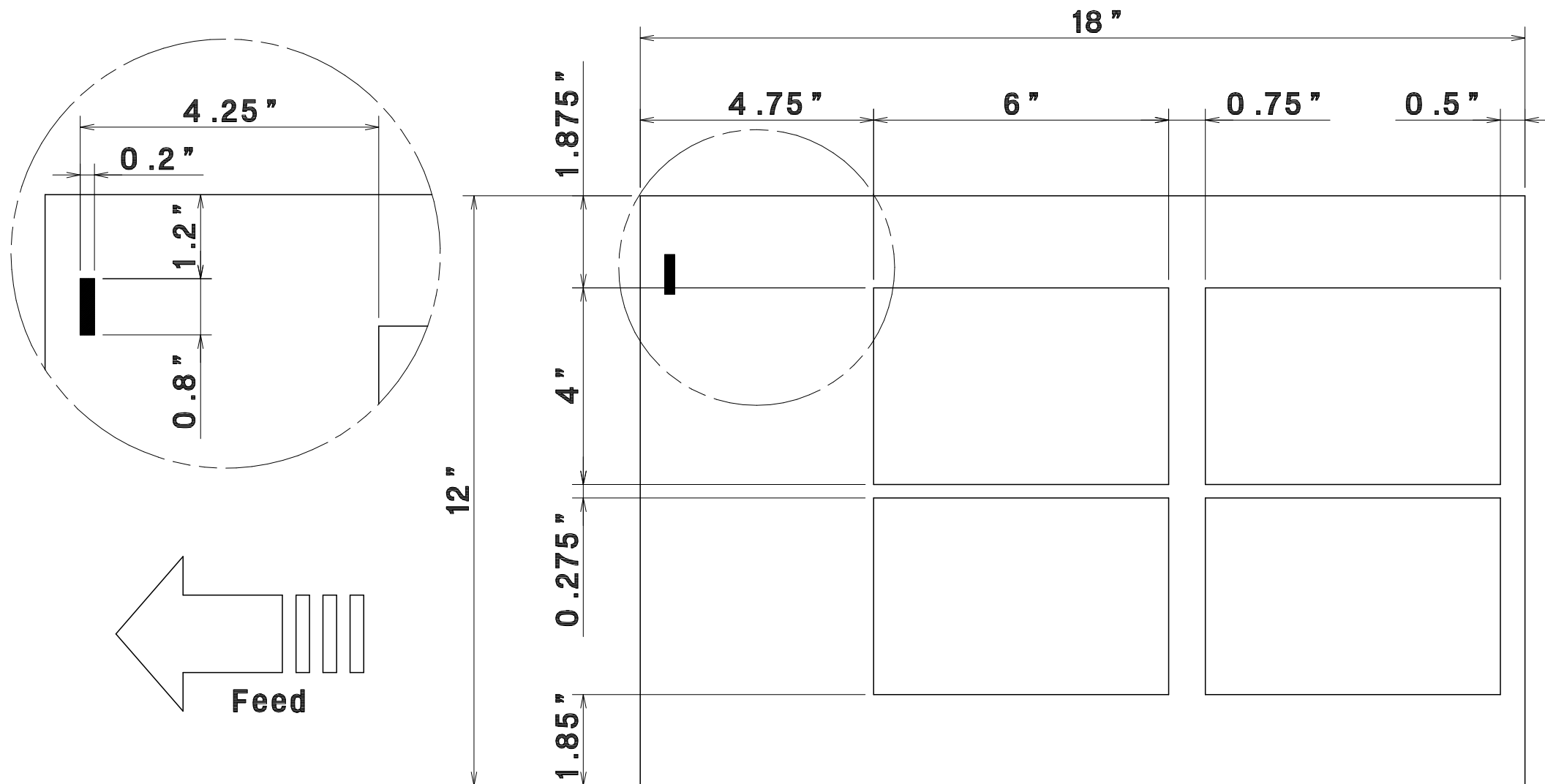
→ 3.5"x5.5"
POST CARD



AeroCut PRESET TEMPLATE

ARCH-B
12"x18"

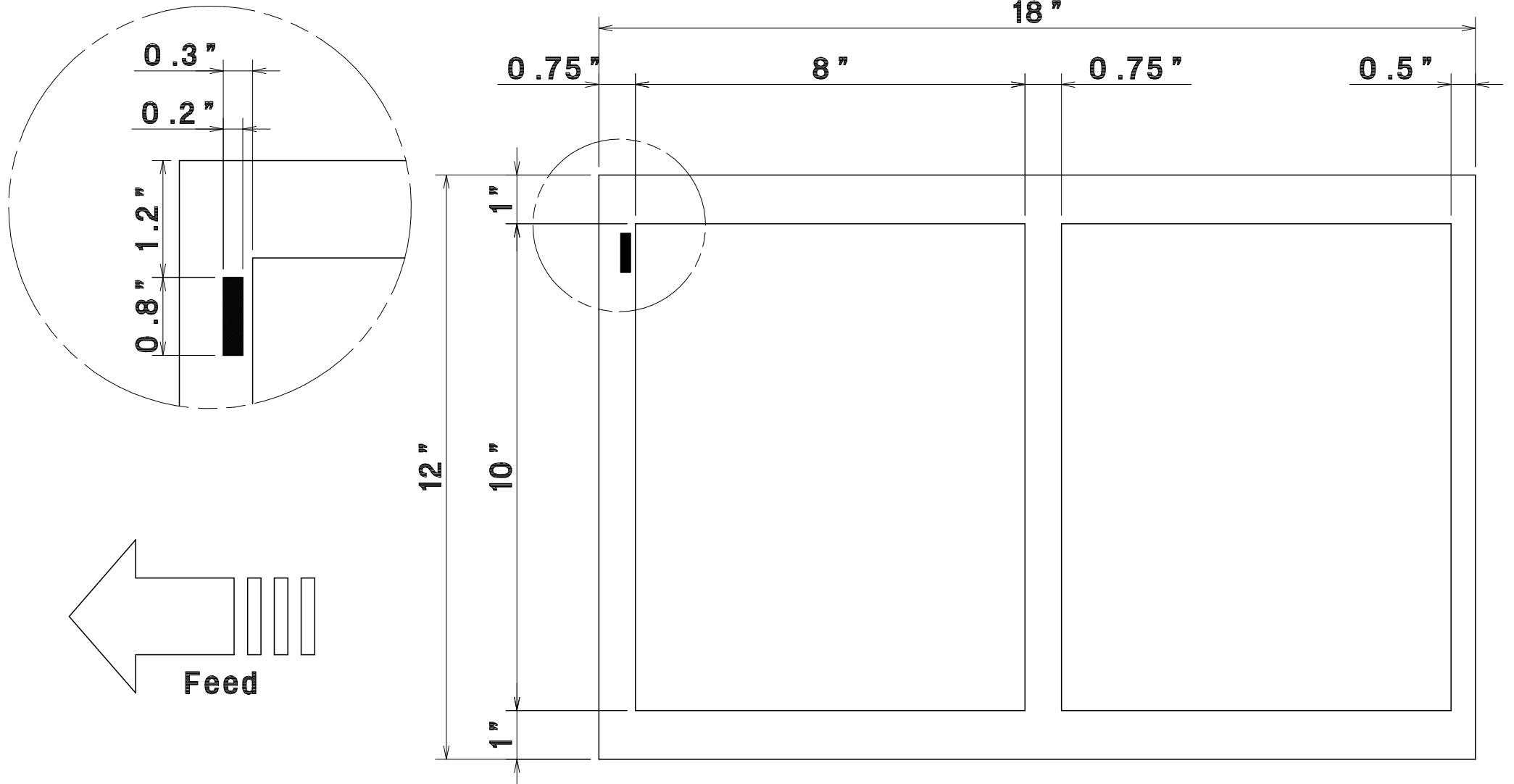
→ 4"x6"
POST CARD



AeroCut PRESET TEMPLATE

ARCH-B
12"x18"

→ 8"x10"
POST CARD

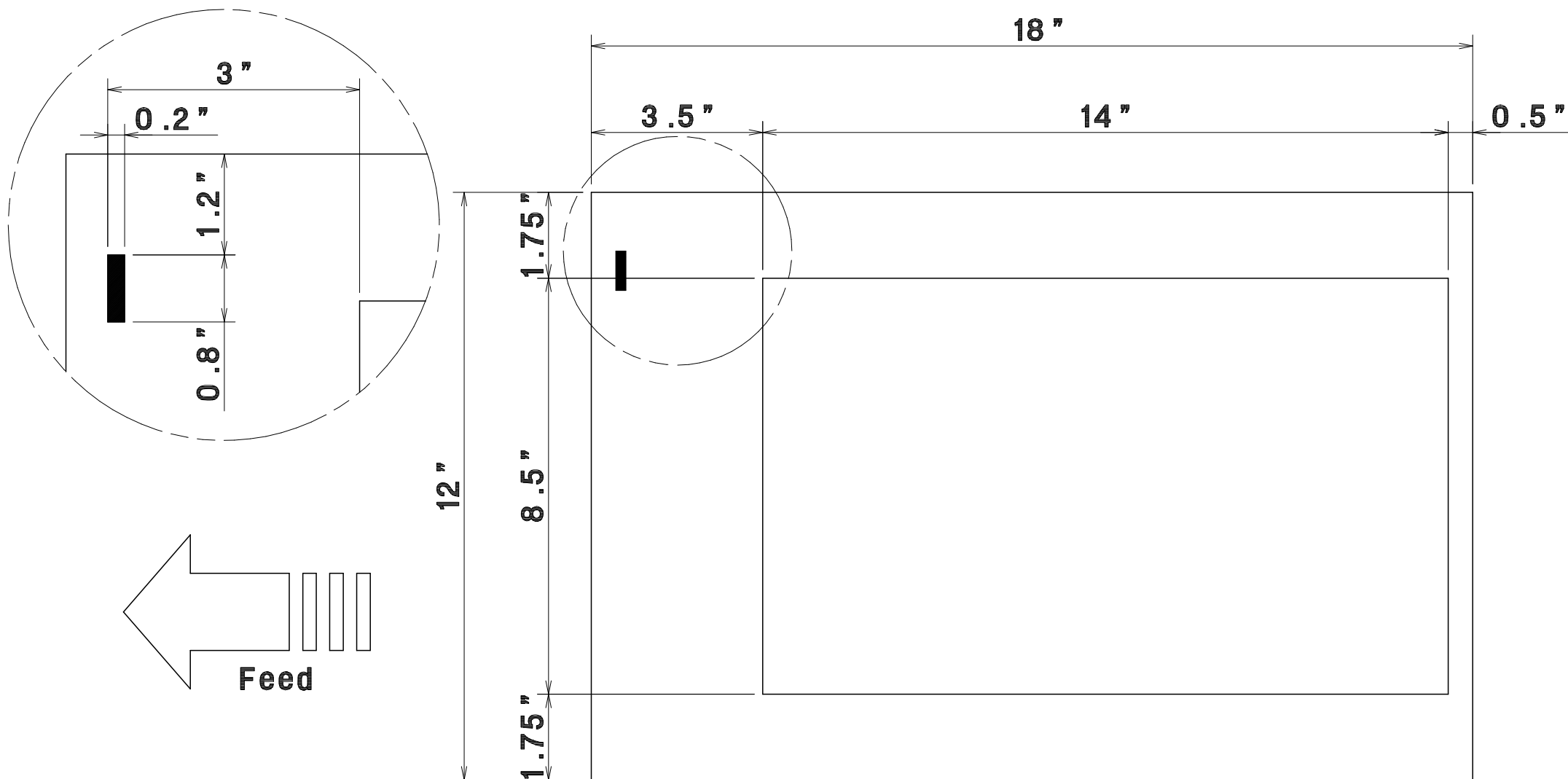


AeroCut PRESET TEMPLATE

ARCH-B
12"x18"



8.5"x14"
LEGAL

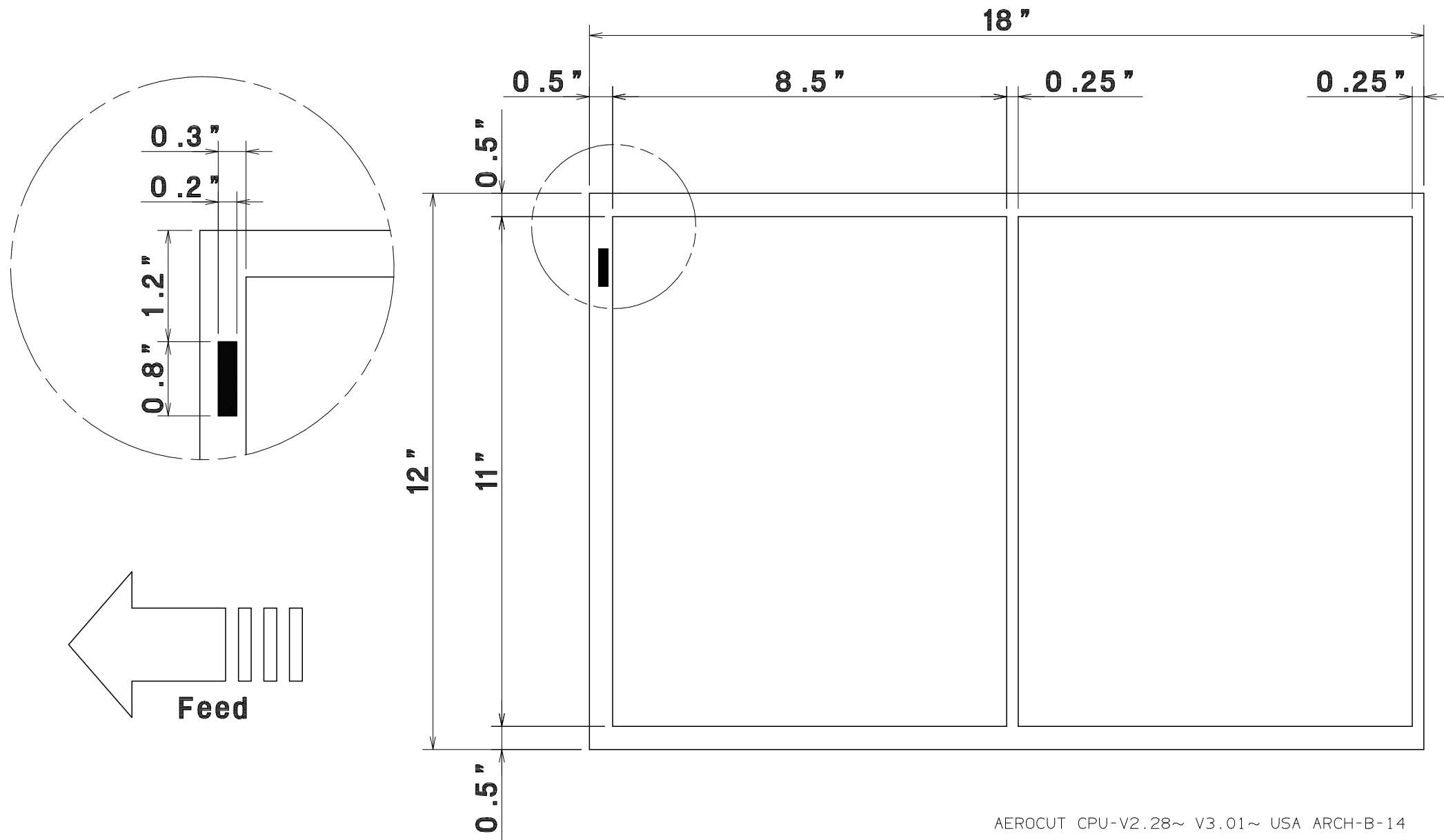


AeroCut PRESET TEMPLATE

ARCH-B
12"x18"



8.5"x11"
LETTER

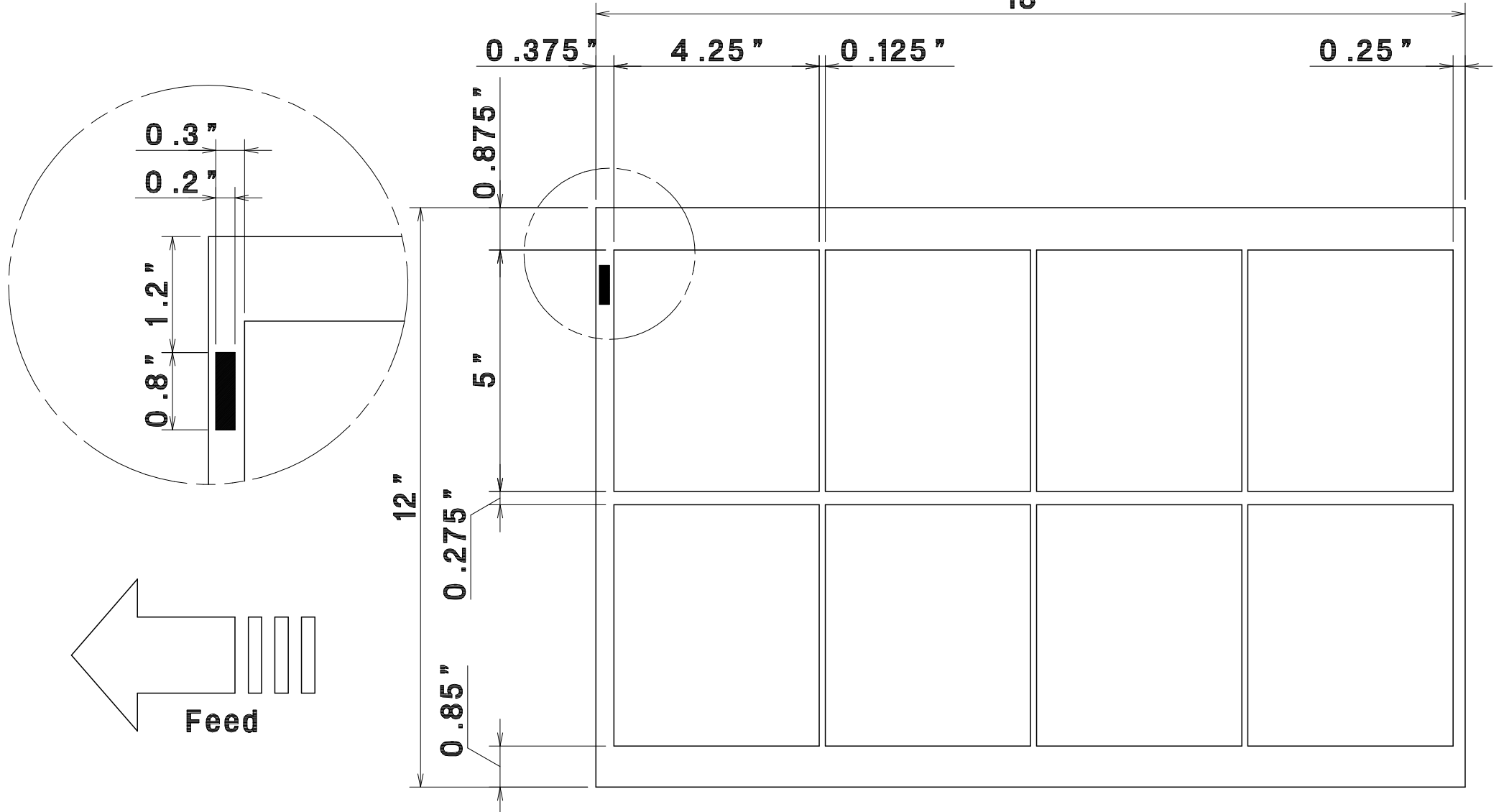


AeroCut PRESET TEMPLATE

ARCH-B
12"x18"

→ 4.25"x5"

18"



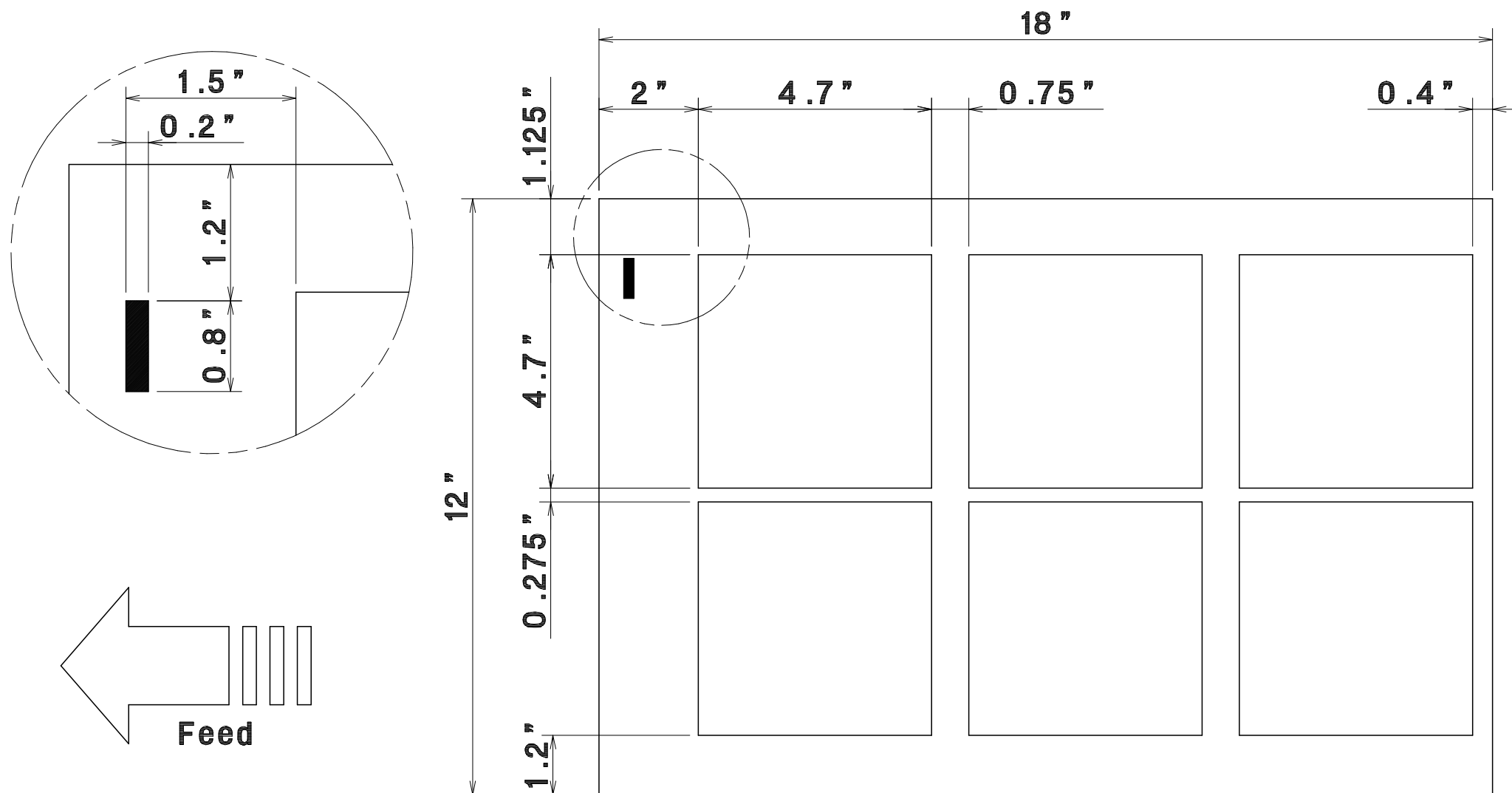
AeroCut

PRESET TEMPLATE

ARCH-B
12"x18"



CD JCKET



AeroCut PRESET TEMPLATE

ARCH-B
12"x18"

→ CD JACKET
(CREASE)

